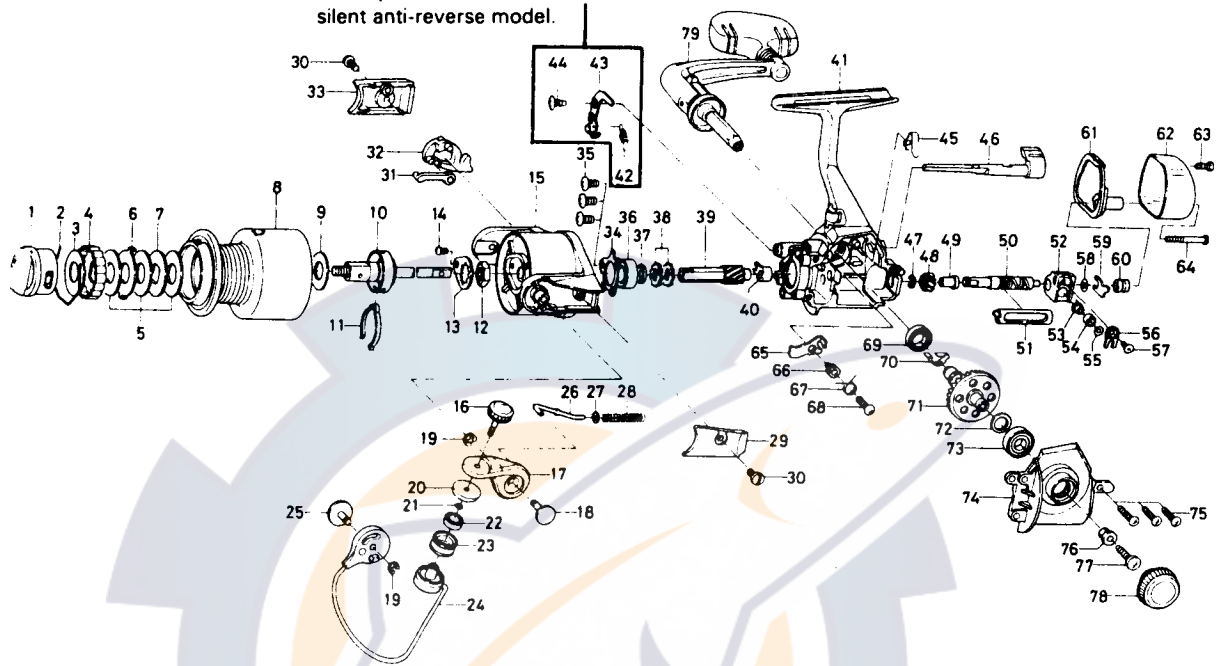


SPINNING REEL — EX800

* These parts are not assembled in silent anti-reverse model.



Key No. 2-8

F02-3101 Spool assembly 86.50

Key

Key No.	Part No.	Part Name	Price
1	F01-8101	Drag knob	26.50
2	F06-2601	Drag washer retainer	.95
3	F01-6001	Click plate washer	1.40
4	E12-2803	Drag knob click plate	5.10
5	B36-0204	Drag washer	.95
6	E15-0101	Eared washer	.75
7	B65-2302	Key washer	1.20
8	F02-3201	Spool assembly	N/A
9	F06-2701	Spool washer	1.40
10	F02-2501	Main shaft assembly	25.40
11	B74-7702	Spool click leaf spring	.45
12	340-6605	Rotor nut	2.50
13	B66-2601	Rotor nut holding plate	1.10
14	351-1801	Rotor nut holding plate screw	.45
15	F02-1901	Rotor	28.40
16	F01-5001	Line roller screw	6.50
17	F01-3401	Bail arm	2.50
18	F01-3501	Bail arm screw	2.50
19	320-5901	Bail arm screw retainer	.50
20	F01-4901	Line roller collar	2.85
21	B85-3101	"O" ring	.60
22	F05-5601	Ball bearing A	9.25
23	F06-3201	Line roller	37.80
24	F02-2101	Bail	11.50
25	F01-4501	Bail trip cam screw	2.50
26	E12-4701	Bail spring shaft	1.50
27	E11-5901	Bail spring washer	.65
28	E43-5401	Bail spring	.70
29	F02-2001	Bail spring cover	4.60
30	F01-3701	Bail spring cover screw	1.95
31	F02-2301	Bail trip plate	1.15
32	F01-4401	Bail trip lever	1.40
33	F02-2401	Bail trip cover	4.60
34	F02-1501	Bearing retainer	.70
35	351-7701	Bearing retainer screw	.45
36	B62-8601	Ball bearing B	8.65
37	B63-0401	Spacer	.70
38	E20-0801	Anti-reverse ratchet	1.70

Key

Key No.	Part No.	Part Name	Price
39	F02-1401	Pinion gear	11.90
40	E34-4101	Pinion collar	.70
41	F15-7602	Body	46.20
45	E26-8701	Anti-reverse cam spring	.60
46	F01-2702	Anti-reverse lever	8.00
47	320-5901	Worm shaft gear retainer	.50
48	F02-1301	Worm shaft gear	6.50
49	E19-0901	Worm shaft bush	2.80
50	F02-1101	Worm shaft	8.00
51	F02-1001	Worm shield cover	5.40
52	F02-0901	Oscillating slider	4.00
53	F02-1202	Oscillating pawl	5.40
54	E19-1301	Oscillating pawl bush	2.80
55	375-0800	Oscillating pawl washer	.40
56	E24-4901	Oscillating slider cover	.90
57	352-1502	Oscillating slider cover screw	.60
58	375-4101	Worm shaft washer	.45
59	E24-5101	Worm shaft retainer	.70
60	E19-1101	Worm shaft collar	2.50
61	F01-6101	Water shield	1.15
62	F01-6201	Rear cover	55.10
63	F01-6301	Rear cover screw A	1.10
64	F01-7201	Rear cover screw B	1.15
65	F02-4201	Anti-reverse pawl	1.65
66	B96-5501	Anti-reverse pawl collar	.95
67	B96-5601	Anti-reverse pawl spring A	.70
68	351-6401	Anti-reverse pawl screw	.45
69	B86-1701	Ball bearing C	8.50
70	F02-1702	Anti-reverse pawl spring B	1.65
71	F02-1601	Drive gear	19.50
72	373-7808	Drive gear washer	.40
73	B62-8601	Ball bearing B	8.65
74	F02-1801	Left side cover	15.90
75	351-1101	Side cover screw	.45
76	B85-0801	Handle collar	.70
77	F04-5101	Handle screw	5.10
78	F02-2901	Handle screw cap	9.50
79	F15-6001	Handle assembly	31.50